

## ACKNOWLEDGMENTS

The authors would like to acknowledge the valuable assistance of R.E. Steigewalt and R. Kossifos and the suggestions of A.R. Marder. Discussions with M. Banus of the MIT Lincoln Laboratories are also appreciated.

## REFERENCES

1. J.C. Jamieson and A.W. Lawson, "X-ray Diffraction Studies in the 100 Kilobar Pressure Range", *J. Appl. Phys.*, 33, 776, 1962.
2. W. Bassett, T. Takahashi and P.W. Stook, "X-ray Diffraction and Optical Observations on Crystalline Solids Up to 300 Kbar", *Rev. of Sci. Instruments*, 38, 37, 1967.
3. H. Mao, W.A. Bassett and T. Takahashi, "Effect of Pressure on Crystal Structure and Lattice Parameters of Iron up to 300 Kbar", *J. Appl. Phys.*, 38, 272, 1967.
4. T. Takahashi, W.A. Bassett and H. Mao, "Isothermal Compression of the Alloys of Iron up to 300 Kilobars at Room Temperature: Iron-Nickel Alloys", *J. of Geophysical Res.*, 73, 4717, 1968.
5. T. Takahashi and W.A. Bassett, "High-Pressure Polymorph of Iron", *Science*, 145, 483, 1964.
6. R.M. Keeler and A.C. Mitchell, "Electrical Conductivity, Demagnetization, and the High-Pressure Phase Transition in Shock-Compressed Iron", *Solid State Comm.*, 7, 271, 1969.
7. J.Y. Wong, R.K. Linde, and P.S. DeCarli, "Dynamic Electrical Resistivity of Iron: Evidence for a New High Pressure Phase", *Nature*, 219, 713, 1968.
8. G.J. Piermarini and C.E. Weir, "A Diamond Cell for X-ray Diffraction Studies at High Pressures", *J. of Res.*, 66A, 325, 1962.
9. L.D. Blackburn, L. Kaufman and M. Cohen, "Phase Transformations in Iron-Ruthenium Alloys Under High Pressure", *Acta. Met.*, 13, 533, 1965.
10. F.J. Karasek, "Techniques for the Fabrication of Ultrathin Metallic Foils", *Nuc. Sci. and Eng.*, 17, 365, 1963.
11. W. Class, A. Iannuci and H. Nesor, "Some Innovations and Observations on High Pressure Diffractometry", *Norelco Reporter*, 13, 87, 1966.
12. M.B. Myers, F. Dacheille, and R. Roy, "Pressure Multiplication Effect in Opposed-Anvil Configurations", *Rev. of Sci. Inst.*, 34, 401, 1963.
13. P.W. Bridgeman, "The Compression of 39 Substances to 100,000 KG/CM<sup>2</sup>", *Proc. Am. Acad. Arts Sci.*, 76, 55, 1948.

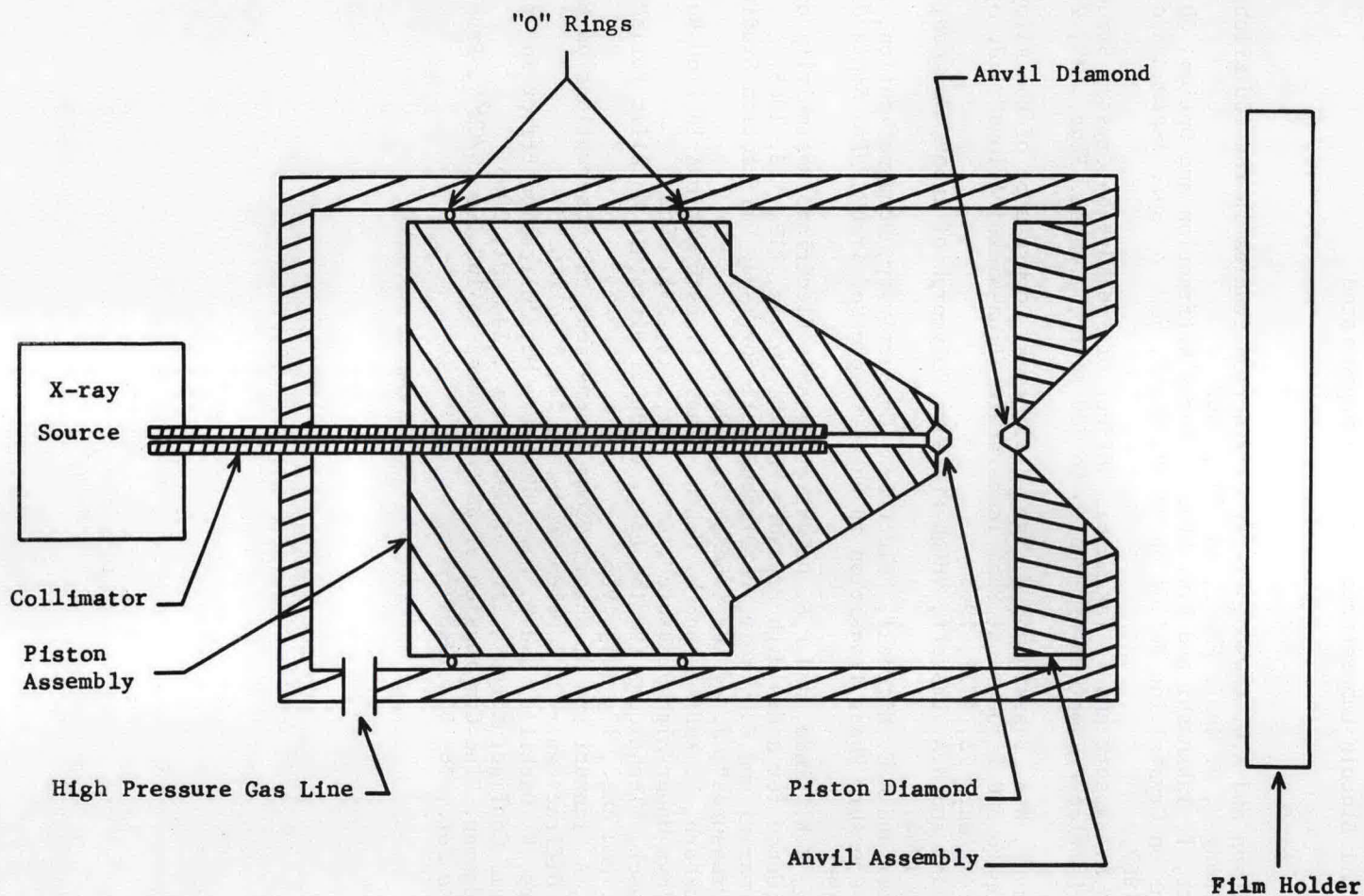


Figure 1. Schematic drawing of high-pressure x-ray diffraction camera.